

TOPSTAR™ DOOR SHIM SCREW

GRK's shim screw - the Topstar™ - substantially reduces labor for the installation of window and door frames (jambs), insulation, paneling and built in wall units/cabinets.

The Top Star™ is ideal for all adjustment applications.

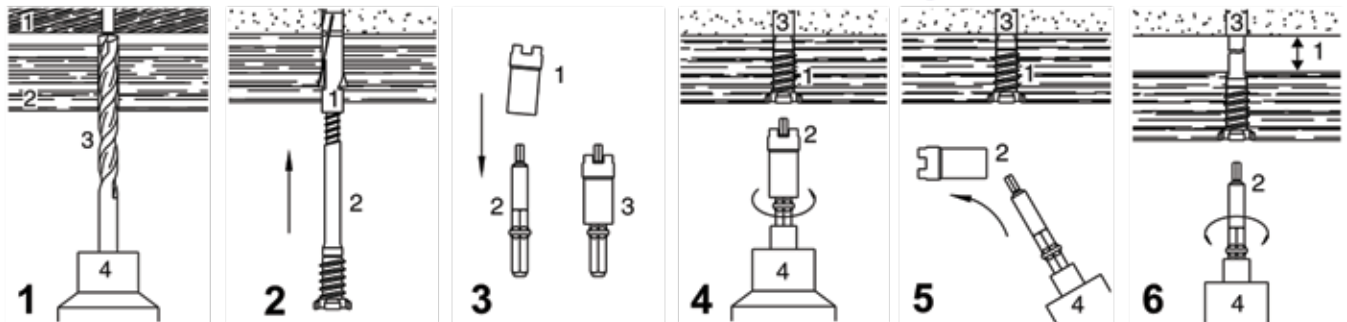
Use in the installation of:

- window and door frames (jambs)
- insulation and paneling
- built in wall units/cabinets

The product is perfectly suited to meet the needs of both the professional and do-it-yourself installers.

Fine adjustments are possible in both directions helping to reduce the workload and make the job easier for one person.

HOW TO USE THE SHIM SCREW:



Wood to wood:
Pre drill frame/jamb with 5/16" drill bit only.

Wood to masonry:
Use same drill size to pre drill hole in both, wood and concrete.

Wood to wood:
Drive TopStar through frame or jamb into rough opening frame.

Wood to masonry:
Put rimless anchor on point of TopStar and push it through wood frame into cement hole.

Assembly/use of crown bit:
push crown (1) over bit (2) and press down to stop (3) for driving the screw.

Engage crown bit into TopStar screw head and drive flush to surface of frame/jamb.

For adjustments, remove crown from bit.

Engage bit into centre hole of TopStar screw head and adjust to your requirements.

Windsor Plywood



EDMONTON - CLAREVIEW • 5255 - 128th AVE. • TEL: 478-9663 • FAX: 478-9064

TOLL FREE: 1-888-898-4999 • www.windsor-edmonton.com Click to our website for great savings on 100's of items & loads of information

STORE HOURS: MON - FRI: 8:00AM - 8:00 • SAT: 8:00 - 5:00PM • SUN: 10:00AM - 4:00PM • OPEN HOLIDAY MONDAY 10:00AM - 4:00PM